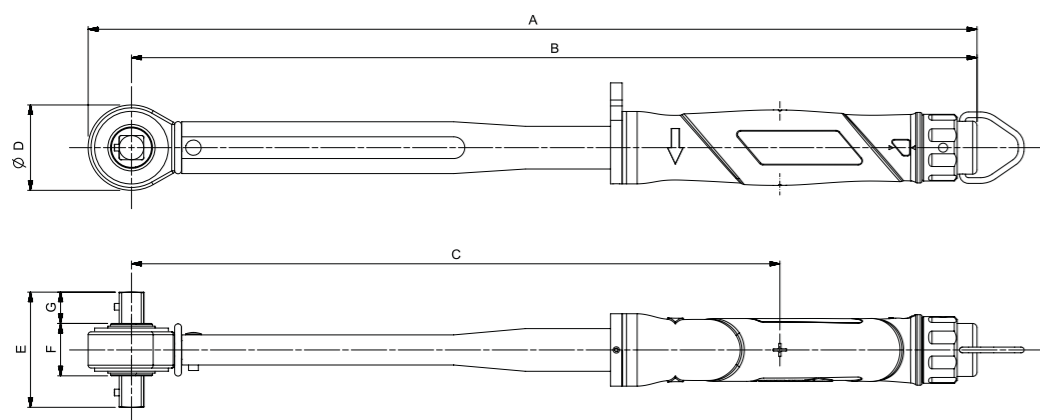
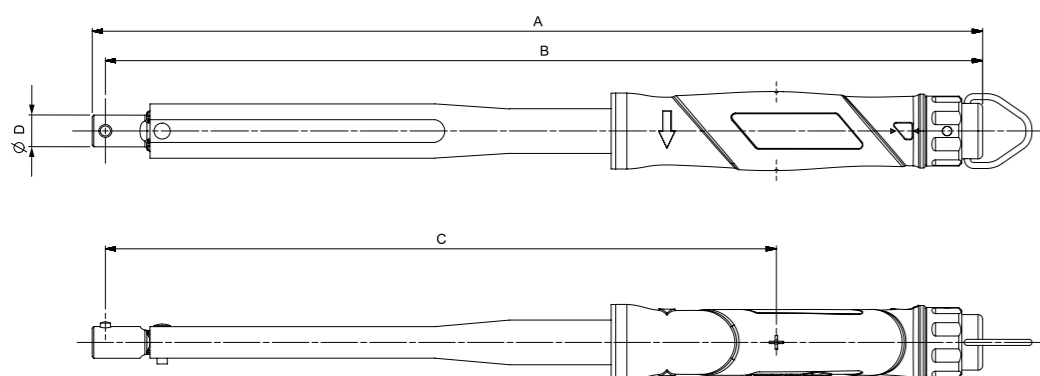




| Model | NorTorque Tethered Torque Wrenches | | | | | |
|-----------------|------------------------------------|----------------|--------------|-----------------|--------------|-----------------|
| | Model 100 | | Model 200 | | Model 300 | |
| Part Number | 130178 | | 130179 | | 130180 | |
| Torque Range | 20 - 100 N·m | 20 - 80 lbf·ft | 40 - 200 N·m | 30 - 150 lbf·ft | 60 - 300 N·m | 45 - 220 lbf·ft |
| Square Drive | ½" | | ½" | | ½" | |
| Dimensions (mm) | A | 375 | 459 | | 589 | |
| | B | 354 | 437 | | 562 | |
| | C | 252 | 335 | | 460 | |
| | ØD | 42 | 45 | | 54 | |
| | E | 53 | 59 | | 59 | |
| | F | 22 | 28 | | 28 | |
| | G | 16 | 16 | | 16 | |
| Weight (kg) | 0.9 | | 1.1 | | 1.5 | |



| Model | NorTorque Torque Handle Adjustable 16 mm Spigot | | | | | | | |
|-----------------|---|--------------|-------------------|--------------|-------------------|---------------|-------------------|---------------|
| | NorTorque 60 | | NorTorque 100 | | NorTorque 200 | | NorTorque 300 | |
| Part Number | 130141 130161* | | 130142 130162* | | 130143 130163* | | 130144 130164* | |
| Torque Range | 12-60 N·m | 10-45 lbf·ft | 20-100 N·m | 20-80 lbf·ft | 40-200 N·m | 30-150 lbf·ft | 60-300 N·m | 45-220 lbf·ft |
| Dimensions (mm) | A | 317 | 357 | | 439 | | 564 | |
| | B | 310 | 350 | | 433 | | 557 | |
| | C | 208 | 248 | | 331 | | 455 | |
| | ØD | 16 | 16 | | 16 | | 16 | |
| Weight (kg) | 0.6 | | 0.7 | | 0.8 | | 1.1 | |



*N-m only version

GLOBAL SERVICE

Norbar is the only torque equipment manufacturer capable of offering tool and instrument calibration services to the original factory standard on four continents.

Accredited laboratories in Australia, USA, Singapore, China and India operate the same equipment and procedures as the UKAS accredited laboratory within our headquarters in the UK.



NORBAR TORQUE TOOLS LTD
Wildmere Road, Banbury, Oxfordshire, OX16 3JU
UNITED KINGDOM
Tel + 44 (0)1295 753600
Email sales@norbar.com



NORBAR TORQUE TOOLS
45-47 Raglan Avenue, Edwardstown
SA 5039
AUSTRALIA
Tel + 61 (0)8 8292 9777
Email enquiry@norbar.com.au



NORBAR TORQUE TOOLS INC
36400 Biltmore Place, Willoughby
Ohio 44094
USA
Tel + 1 866 667 2272
Email inquiry@norbar.us



NORBAR TORQUE TOOLS
c/o Snap-on Tools Singapore PTE LTD
25 Tagore Lane #01-02
SINGAPORE 787 602
Tel + 65 6841 1371
Email enquiries@norbar.sg



NORBAR TORQUE TOOLS (SHANGHAI) LTD
91 Building- 7F, No. 1122 North Qinzhou Road,
Xuhui District, Shanghai
CHINA 201103
Tel + 86 21 6145 0368
Email sales@norbar.com.cn



NORBAR TORQUE TOOLS INDIA PVT. LTD
Plot No A – 168 Khairne Industrial Area
Thane Belapur Road
Mahape Navi Mumbai – 400 709
INDIA
Tel + 91 22 2778 8480
Email enquiry@norbar.in

www.norbar.com



Part number 07571 | Issue 3

NORBAR PRODUCT PORTFOLIO



Torque Screwdrivers



Torque Wrenches



Electronic Torque Wrenches



Manual Torque Multipliers



Pneumatic Torque Tools



Electronic Torque Tools



Battery Torque Tools



Torque Measurement Instruments



Torque Transducers



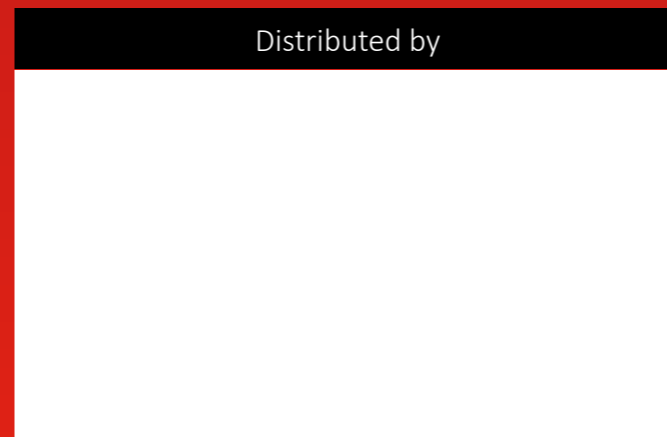
Calibration Services

NORTORQUE®

EFFICIENT, AFFORDABLE, PROFESSIONAL QUALITY



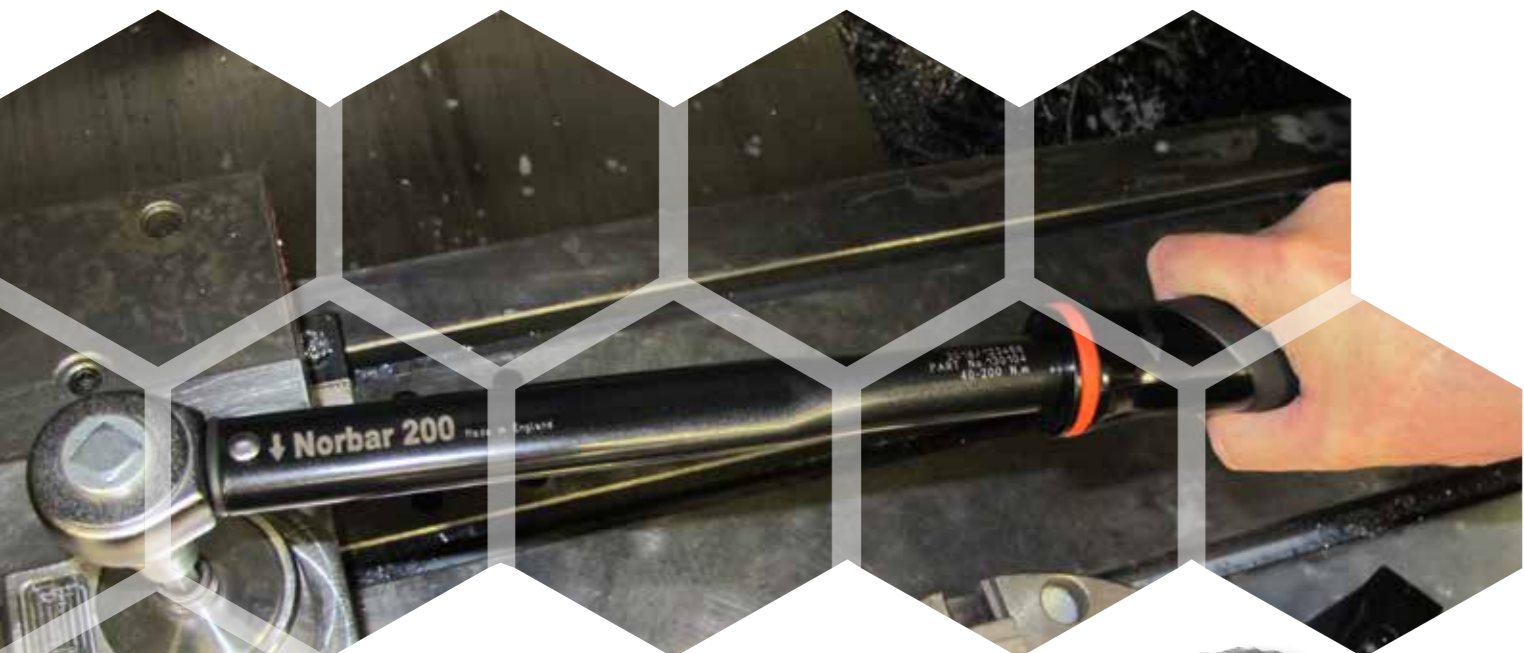
Distributed by



© Norbar Torque Tools Ltd 2021

THE NORTORQUE® UTILISES NORBAR'S PROVEN MECHANISM AND INTERNAL COMPONENTS AND INCORPORATES THEM INTO A PURPOSEFUL AND ATTRACTIVE TORQUE WRENCH THAT WILL DELIGHT A WIDE RANGE OF USERS FROM PROFESSIONAL MECHANICS TO HOBBY ENTHUSIASTS.

In developing NorTorque®, Norbar's objective was to deliver outstanding quality and performance in a value for money package. The wrench offers a comfortable, robust single material handle which also contains an easy to set scale. Fine engineering ensures that the wrench adjustment is both fast and fingertip light meaning that you can do your job more efficiently. The sleek body tube finish was chosen for its robustness and minimal process impact on the environment.



SQUARE DRIVE ADAPTORS FOR RATCHETS
 3/8" to 1/2" adaptor included with 60 N-m wrench,
 1/2" to 3/8" adaptor included with 100 N-m wrench



HANGER
 Convenient hanger feature for tool storage also aids wrench unlocking and adjustment



RAPID ADJUSTMENT
 Light and fast adjustment saves operator time and effort

PREVENTS ACCIDENTAL ADJUSTMENT
 Push/pull lock is fast and intuitive to use and prevents accidental adjustment to set torque



DOUBLE-SIDED LOCKING PLUNGER SQUARE
 Pinned head in line with DROPS recommendation for ultra safe handling of sockets when working at height



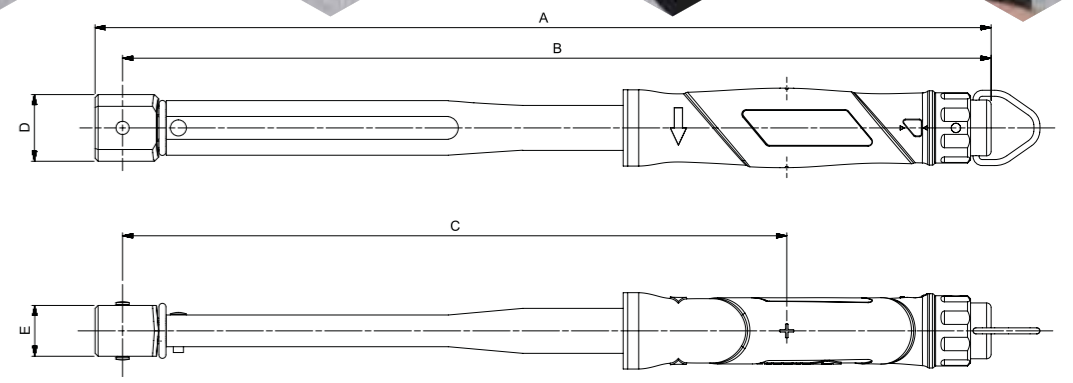
ACCURACY
 Accurate to ±3% of reading which meets the requirements of ISO 6789-1:2017



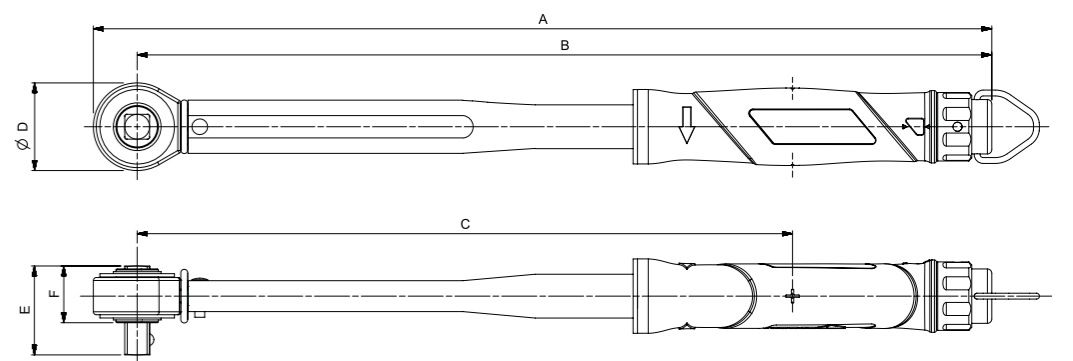
TETHERING POINT
 Features inbuilt tethering point to secure the tool for safe working at height



MICROMETER SCALE
 Secondary scale applies to the primary torque units (N-m on a dual scale wrench) for simple and error free setting



| Model | NorTorque Female Torque Handle Adjustable | | | | | | | | | | | |
|-----------------|---|-----------------|----------------------------|-----------------|-----------------------------|------------------|-----------------------------|------------------|-----------------------------|------------------|-------------------|------------------|
| | NorTorque 60 9 x 12 mm | | NorTorque 100 9 x 12 mm | | NorTorque 200 14 x 18 mm | | NorTorque 300 14 x 18 mm | | NorTorque 340 14 x 18 mm | | | |
| Part Number | 130121 130131* | | 130123 130133* | | 130125 130135* | | 130126 130136* | | 130127 130137* | | 130128 130138* | |
| Torque Range | 12-60 N-m | 10-45 lbf-ft | 20-100 N-m | 20-80 lbf-ft | 40-200 N-m | 30-150 lbf-ft | 40-200 N-m | 30-150 lbf-ft | 60-300 N-m | 45-220 lbf-ft | 60-340 N-m | 45-250 lbf-ft |
| Dimensions (mm) | A | 319 | 360 | | 437 | | 446 | | 566 | | 658 | |
| | B | 308 | 348 | | 426 | | 430 | | 550 | | 642 | |
| | C | 206 | 247 | | 324 | | 329 | | 448 | | 540 | |
| | D | 22 | 22 | | 24 | | 33 | | 36 | | 36 | |
| | E | 20 | 20 | | 20 | | 25 | | 28 | | 28 | |
| Weight (kg) | 0.6 | | 0.7 | | 0.8 | | 0.9 | | 1.2 | | 1.3 | |



*N-m only version

| Model | NorTorque Ratchet Adjustable | | | | | | | | | |
|-----------------|------------------------------|-------------------|-------------------|-------------------|-------------------|---------------|------------|---------------|------------|---------------|
| | NorTorque 60 | NorTorque 100 | NorTorque 200 | NorTorque 300 | NorTorque 340 | | | | | |
| Part Number | 130101 130111* | 130103 130113* | 130104 130114* | 130105 130115* | 130106 130116* | | | | | |
| Torque Range | 12-60 N-m | 10-45 lbf-ft | 20-100 N-m | 20-80 lbf-ft | 40-200 N-m | 30-150 lbf-ft | 60-300 N-m | 45-220 lbf-ft | 60-340 N-m | 45-250 lbf-ft |
| Square Drive | 3/8" | | 1/2" | | 3/8" | | 1/2" | | 3/8" | |
| Dimensions (mm) | A | 328 | 375 | | 459 | | 587 | | 679 | |
| | B | 310 | 354 | | 437 | | 562 | | 654 | |
| | C | 209 | 252 | | 335 | | 460 | | 552 | |
| | ØD | 36 | 42 | | 45 | | 52 | | 52 | |
| | E | 34 | 38 | | 45 | | 45 | | 45 | |
| F | 21 | 22 | | 25 | | 25 | | 25 | | |
| Weight (kg) | 0.7 | | 0.8 | | 1.0 | | 1.4 | | 1.6 | |