



HANDTORQUE® HT3

COMPACT AND VERSATILE TORQUE MULTIPLIERS THAT FITS IN THE PALM OF YOUR HAND



A COMPACT AND VERSATILE TORQUE MULTIPLIER, CRAFTED FROM HIGH-QUALITY MATERIALS FOR EXCEPTIONAL DURABILITY AND PRECISION ACROSS A WIDE RANGE OF TORQUE APPLICATIONS

At just 1.5 kg (without reaction bar), the HT3-1000 is easy to handle and support

Supplied with 2 reaction bar styles for maximum versatility, straight and cranked.

Quick change cranked reaction with improved flexibility allowing reaction in 8 orientations

Comes with a tough metallic powder coat finish for durability

Robust construction means minimal maintenance and long life

With an outer diameter of just 65mm, the HT3-1000 compact design aids use in space restricted applications

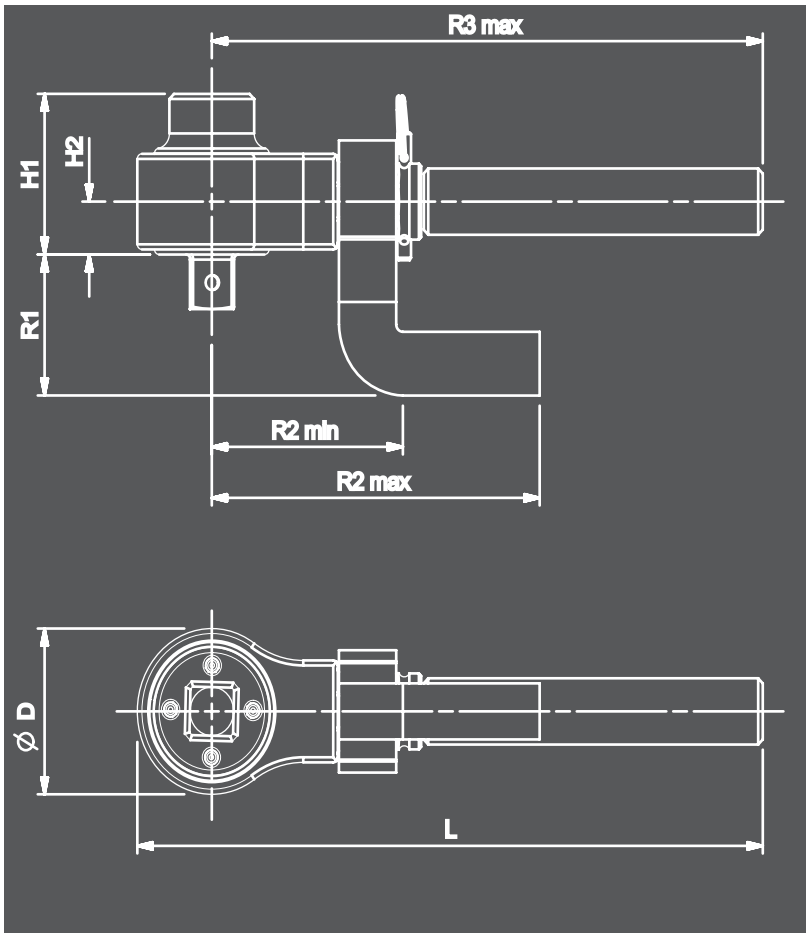
$\pm 4\%$ torque multiplication accuracy



Made in the UK

If calibration is required, a UKAS accredited certificate may be ordered (at extra cost)

HANDTORQUE® HT3 APPLICATION



Technical Specifications

Model		HT3-1000	HT3 1,300 N·m	HT3 2,700 N·m
Part Number		180260	17220	17221
Mean Multiplication Ratio	Nominal	5:1	5:1	5:1
	With Cranked Reaction	4.8:1	4.75:1	4.75:1
	With Straight Reaction	4.9:1	5:1	5:1
Dimensions (mm)	ØD	65	108	108
	H1	63	103	100
	H2	21	44	36
	L	273	398	398
	R1	55	77	85
	R2 min.	83	140	140
	R2 max.	143	212	212
R3 max.	240	344	344	
Tool Weight (kg)		1.5	3.8	3.9
Reaction Weight (kg)	Cranked	0.5	1.36	1.36
	Straight	0.7	1.1	1.1

GLOBAL SERVICE

Norbar is the only torque equipment manufacturer capable of offering tool and instrument recalibration services to original factory standard on four continents.

Accredited laboratories in Australia, USA, China and India operate the same equipment and procedures as the UKAS accredited laboratory within our headquarters in the UK.



Wildmere Road, Banbury, Oxfordshire, OX16 3JU
UNITED KINGDOM
Tel + 44 (0)1295 753600
Email sales@norbar.com



NORBAR TORQUE TOOLS
45-47 Raglan Avenue, Edwardstown
SA 5039
AUSTRALIA
Tel + 61 (0)8 8292 9777
Email enquiry@norbar.com.au



NORBAR TORQUE TOOLS INC
36400 Biltmore Place, Willoughby
Ohio 44094
USA
Tel + 1 866 667 2272
Email inquiry@norbar.us



NORBAR TORQUE TOOLS (SHANGHAI) LTD
91 Building - 7F, No. 1122, North Qinzhou Road
Xuhui District, Shanghai
CHINA 201103
Tel: + 86 21 6145 0368
Email: enquiry@norbar.in



NORBAR TORQUE TOOLS INDIA PVT. LTD
Plot No A – 168 Khairne Industrial Area
Thane Belapur Road
Mahape Navi Mumbai – 400 709
INDIA
Tel + 91 22 4778 8110
Email enquiry@norbar.in

www.norbar.com



Part number 07579 | Issue 2

NORBAR PRODUCT PORTFOLIO



Torque Screwdrivers



Torque Wrenches



Electronic Torque Wrenches



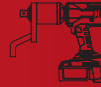
Manual Torque Multipliers



Pneumatic Torque Tools



Electronic Torque Tools



Battery Torque Tools



Torque Measurement Instruments



Torque Transducers



Ultrasonic Bolt Measurement



Calibration Services

Distributed by